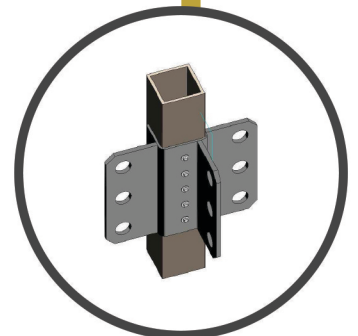
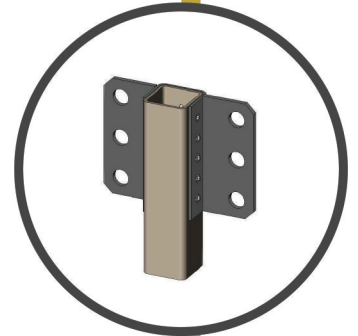
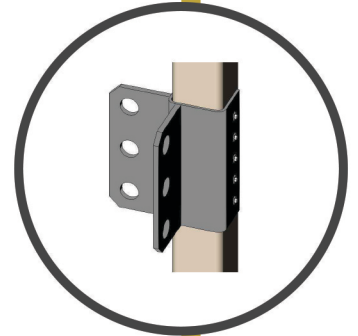
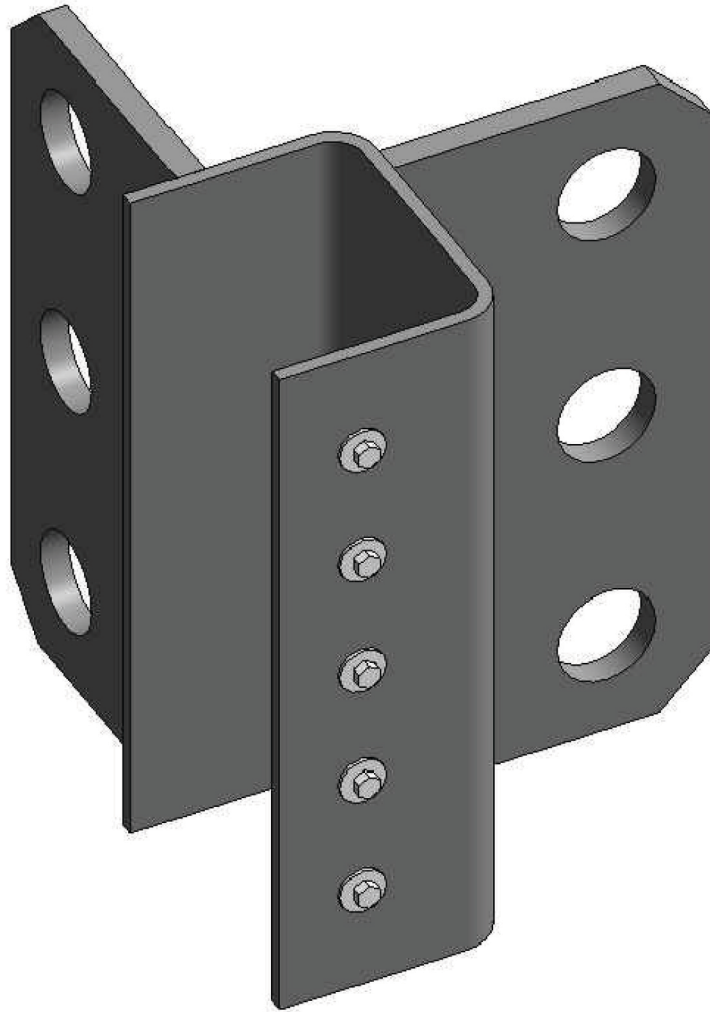


SHS CLEATS



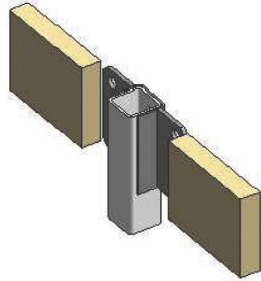
SHS - TIMBER BEAM CLEATS

AUSTRALIA & NZ

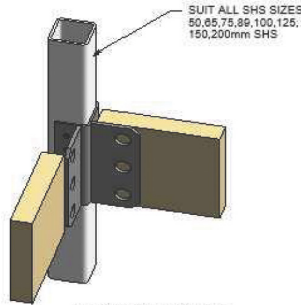
(use for balconies, verandah beams, roof beams, floor bearer supports, garages, carports, pergolas, stair landings, shs post/timber fences)



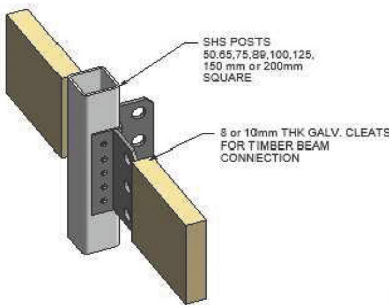
NO WELDING - REDUCED LABOUR COSTS!



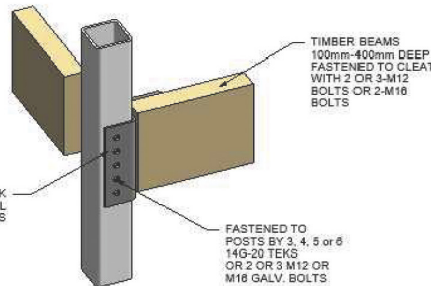
2 WAY - IN-LINE CLEAT



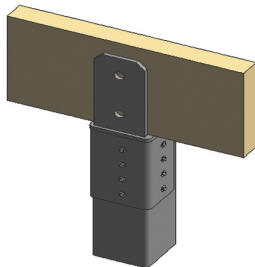
L.H CORNER CLEAT



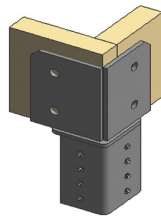
3 WAY - INTERMEDIATE CLEAT



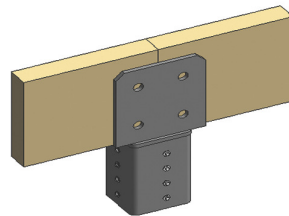
R.H CORNER CLEAT



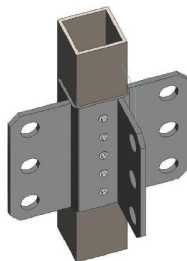
SHS - TOP CLEAT



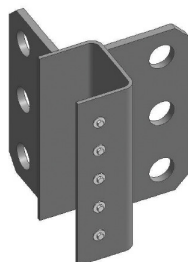
SHS - TOP CLEAT - CORNER



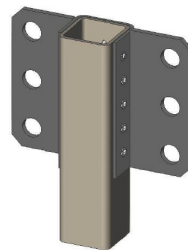
SHS - TOP CLEAT - INTERMEDIATE



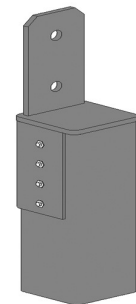
① SHS-TIMBER BEAM 3 WAY INTERMEDIATE CLEAT



② SHS-TIMBER BEAM RH CORNER CLEAT



③ SHS-TIMBER BEAM 2 WAY IN-LINE CLEAT



④ SHS-TIMBER BEAM TOP CLEAT

ADVANTAGES

1. NO WELDING REQUIRED UNLESS SPECIFICALLY REQUESTED.
2. SIMPLY SLIDE CHANNEL UP OR DOWN SHS POST TO REQUIRED LEVEL AND TEK SCREW INTO SHS POST WITH MIN. 3-5 TEKS EACH SIDE OF CLEAT.
3. HOT DIPPED GALVANISED- CAN ALSO BE POWDERCOATED OR PAINTED TO CLIENT SPECS.
4. MINIMUM COST SAVING OF \$2,000 PER HOUSE
5. NO NEED FOR PLATFORM CONSTRUCTION METHODS, INSTALL YOUR SHS POSTS FROM THE FOOTING LEVEL TO YOUR ROOF LEVEL AND CONNECT YOUR DECK BEARER AT VERANDAH LEVEL AND YOUR ROOF BEAM AT ROOF LEVEL. WITH OUR SHS CLEATS SAVES TIME IN CONSTRUCTION AND THUS COST SAVINGS.

SHS-TIMBER BEAM CONNECTION TYPES

1. L.H CORNER
2. R.H CORNER
3. 2 WAY INLINE
4. 3 WAY INTERMEDIATE

CONNECTION TYPES SIZES ARE BASED ON THE FOLLOWING; SHS SIZE, TIMBER BEAM DEPTH AND SHEAR FORCE LOAD ON EACH CLEAT.

1. SELECTION OF SUITABLE PRODUCT OR DESIGN OF FOR YOUR BUILDING CONNECTION CAN BE CARRIED OUT BY SHS CLEATS IF REQUIRED.
2. PRODUCTS CAN BE MANUFACTURED IN SI METRIC OR US IMPERIAL UNITS.

FASTENING CHANNEL TO SHS CAN BE SECURED VIA EITHER OF THE 3 FASTENING METHODS BELOW DEPENDANT ON CUSTOMER CHOICE AND MIN. LOAD REQUIREMENTS FOR THE FASTENER TYPE AND NUMBER;

1. USING 14G GALV TEK SCREWS
2. USING M12 OR M16 BOLTS
3. USING 5mm FILLET WELD

FASTENING TIMBER BEAM TO STEEL CLEAT BY 2 OR 3 M12, M16 OR M20 GR 4.6 OR GR 8.8 GALV. BOLTS, N&W.

TIMBER BEAM CLEAT BOLTS GR4.6 SINGLE SHEAR CAPACITY TABLE

2-M12 BOLTS - kN	3-M12 BOLTS - kN	2-M16 BOLTS - kN	3-M16 BOLTS - kN
35	53	63	95

TOTAL SHEAR CAPACITY OF SLIDING CHANNEL TO SHS POST WITH 14G-20 TEKS OR M12 OR M16 BOLTS

SHEAR CAPACITY PER LEG - 3 OFF 14G TEKS (kN)	SHEAR CAPACITY PER LEG - 4 OFF 14G TEKS (kN)	SHEAR CAPACITY PER LEG - 5 OFF 14G TEKS (kN)	TOTAL SHEAR CAPACITY 2 LEGS - 3 OFF 14G TEKS (kN)	TOTAL SHEAR CAPACITY 2 LEGS - 4 OFF 14G TEKS (kN)	TOTAL SHEAR CAPACITY 2 LEGS - 5 OFF 14G TEKS (kN)	TOTAL SHEAR CAPACITY 3 LEGS - 3 OFF 14G TEKS (kN)	TOTAL SHEAR CAPACITY 3 LEGS - 4 OFF 14G TEKS (kN)	TOTAL SHEAR CAPACITY 3 LEGS - 5 OFF 14G TEKS (kN)	TOTAL SHEAR CAPACITY - 2 OFF M12 GR4.6 BOLTS (kN)	TOTAL SHEAR CAPACITY - 3 OFF M12 GR4.6 BOLTS (kN)	TOTAL SHEAR CAPACITY - 2 OFF M16 GR4.6 BOLTS (kN)	TOTAL SHEAR CAPACITY - 3 OFF M16 GR4.6 BOLTS (kN)	TOTAL SHEAR CAPACITY - 4 OFF M16 GR4.6 BOLTS (kN)
27	36	45	54	72	90	81	108	135	71	107	143	127	191

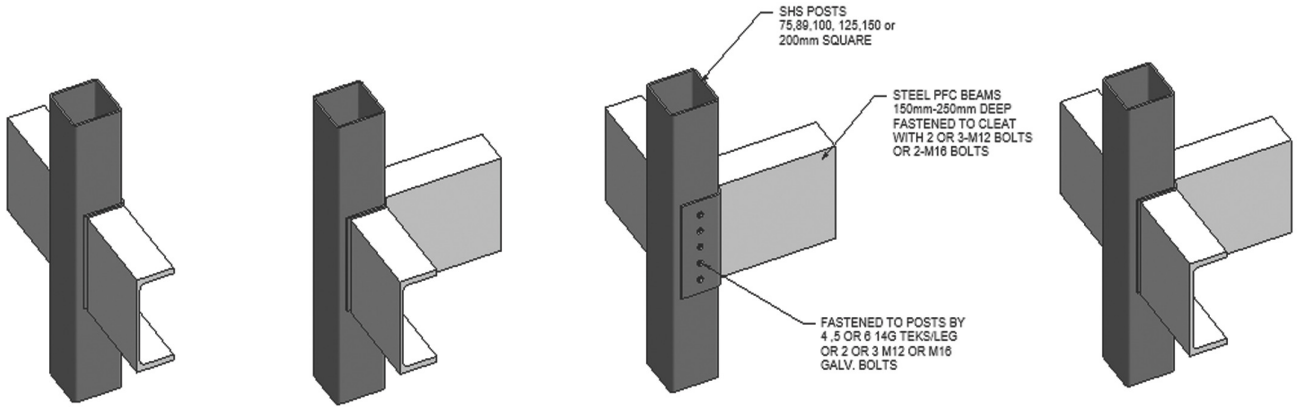
SHS-PFC BEAM CLEATS

AUSTRALIA & NZ



(Use for balconies, verandah beams, roof beams, floor bearer supports, garages, carports, pergolas and stair landings,.)

NO WELDING - REDUCED LABOUR COSTS !



2 WAY INLINE -PFC CLEAT

LH CORNER -PFC CLEAT

RH CORNER -PFC CLEAT

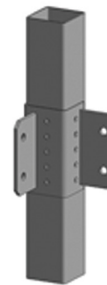
3 WAY - INTERMEDIATE PFC CLEAT



LH CORNER PFC CLEAT



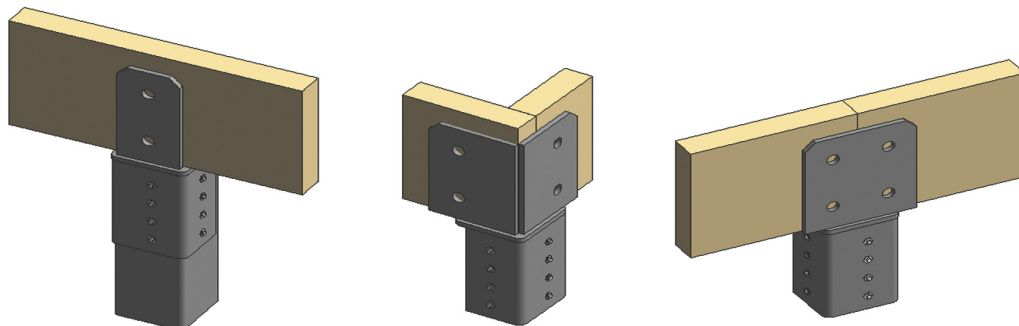
2 WAY-INLINE PFC CLEAT



3 WAY INTERMEDIATE PFC CLEAT

SHS-TIMBER BEAM - TOP PLATE CLEATS

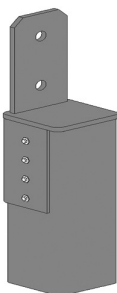
(Use for roof beams and or floor bearer supports.)



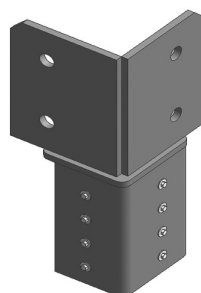
SHS -TOP CLEAT

SHS -TOP CLEAT- CORNER

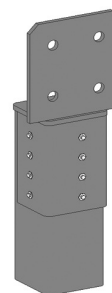
SHS -TOP CLEAT- INTERMEDIATE



SHS-TOP CLEAT-SINGLE



SHS-TOP CLEAT-CORNER



SHS-TOP CLEAT-INTERMEDIATE

3D View of Product	SHS-Steel Angle Cleats		Channel Length (mm)			Customer Input			
			3 Tek	8 Tek	11 Tek	Angle Size	Bolt Dia	Channel Thk	Cleat Thk
	SHS Size	Type	150	300	400	75,90,100 EA	12 or 16mm	4 or 5mm	8 or 10mm
	75	1 way Single Sided						4	8
	89	1 way Single Sided						4	8
	100	1 way Single Sided						4	8
	125	1 way Single Sided						5	10
	150	1 way Single Sided						5	10
	200	1 way Single Sided						5	10
	75	2 way - Single Sided						4	8
	89	2 way - Single Sided						4	8
	100	2 way - Single Sided						4	8
	125	2 way - Single Sided						5	10
	150	2 way - Single Sided						5	10
	200	2 way - Single Sided						5	10
	75	3 way - Single Sided						4	8
	89	3 way - Single Sided						4	8
	100	3 way - Single Sided						4	8
	125	3 way - Single Sided						5	10
	150	3 way - Single Sided						5	10
	200	3 way - Single Sided						5	10
	75	1 way Double Sided						4	8
	89	1 way Double Sided						4	8
	100	1 way Double Sided						4	8
	125	1 way Double Sided						5	10
	150	1 way Double Sided						5	10
	200	1 way Double Sided						5	10
	75	2 way - Double Sided						4	8
	89	2 way - Double Sided						4	8
	100	2 way - Double Sided						4	8
	125	2 way - Double Sided						5	10
	150	2 way - Double Sided						5	10
	200	2 way - Double Sided						5	10
	75	3 way - Double Sided						4	8
	89	3 way - Double Sided						4	8
	100	3 way - Double Sided						4	8
	125	3 way - Double Sided						5	10
	150	3 way - Double Sided						5	10
	200	3 way - Double Sided						5	10

	75	Top Cleat - Single		2		200/200/150	20/20/10	2	M16	4
	89	Top Cleat - Single								4
	100	Top Cleat - Single								4
	125	Top Cleat - Single	N/A							5
	150	Top Cleat - Single	N/A							5
	200	Top Cleat - Single	N/A							5
	75	Top Cleat - Intermediate		2		200/200/150	20/20/10	2	M16	4
	89	Top Cleat - Intermediate								4
	100	Top Cleat - Intermediate								4
	125	Top Cleat - Intermediate	N/A							5
	150	Top Cleat - Intermediate	N/A							5
	200	Top Cleat - Intermediate	N/A							5
	75	Top Cleat - Corner		2		200/200/150	20/20/10	2	M16	4
	89	Top Cleat - Corner								4
	100	Top Cleat - Corner								4
	125	Top Cleat - Corner	N/A							5
	150	Top Cleat - Corner	N/A							5
	200	Top Cleat - Corner	N/A							5

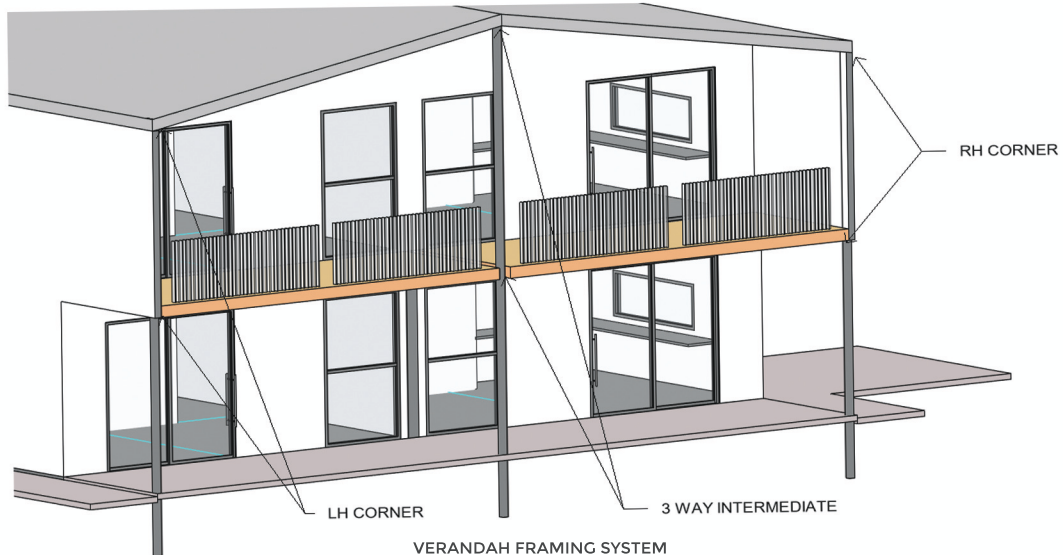
SHS-TIMBER BEAM CLEATS - LOCATIONS



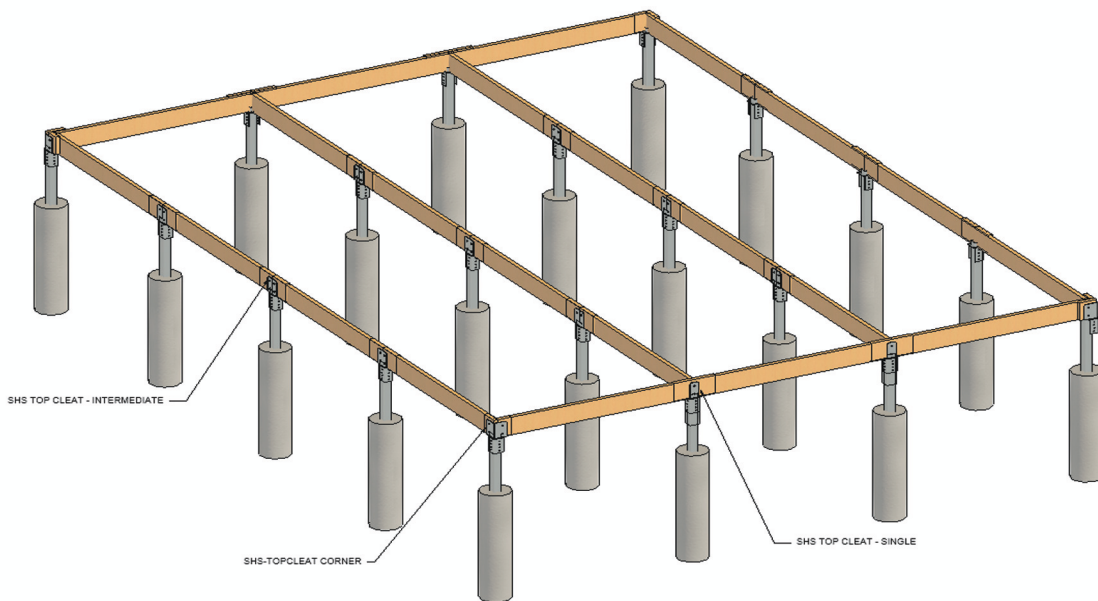
AUSTRALIA & NZ

(Use for balconies, verandah beams, roof beams, floor bearer supports, garages, carports, pergolas, stair landings, shs post/timber fences)

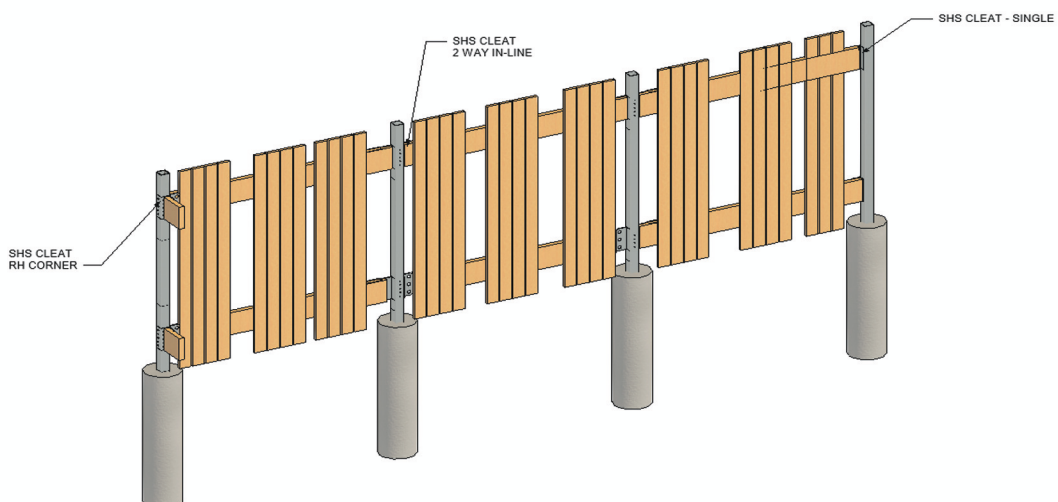
NO WELDING - REDUCED LABOUR COSTS !



VERANDAH FRAMING SYSTEM
Using SHS Timber Cleat-Single, Corner & 3 Way Intermediate Products

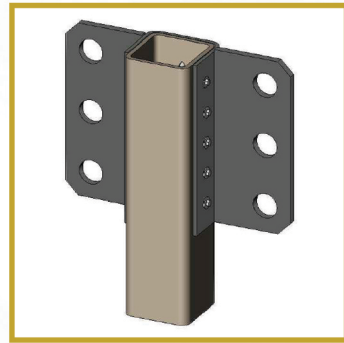
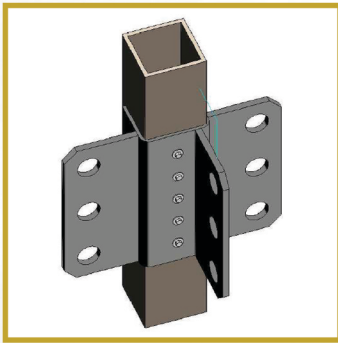


FLOOR BEARER SYSTEM
Using SHS Top Cleat-Single, Corner & Intermediate Products



TIMBER FENCE FRAMING SYSTEM
Using SHS Timber Cleat-Single & 2 Way Inline Products

SHS CLEATS



**SHS
CLEATS**

🏠 L4 South Tower
339 Coronation Drive
Milton QLD 4064
☎ 1300 009792
✉ info@shscleats.com.au
🌐 www.shscleats.com.au